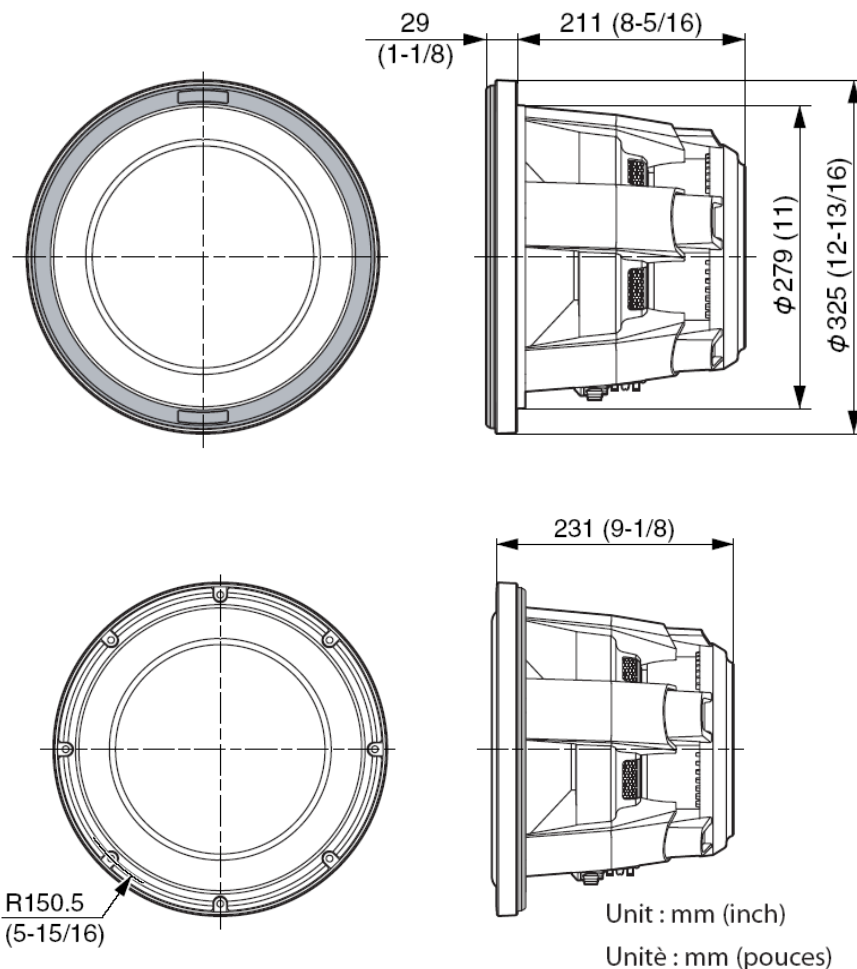


KFC-WPS1D / KFC-XW12R

Specifications

- Subwoofer**300 mm (12") Carbon-glass fiber cone
- Nominal Impedance** $3 \Omega + 3 \Omega$ (Dual voice coil)
- Peak Input Power**3,000 W
- Rated Input Power**700 W
- Sensitivity**91 dB / W at 1 m
- Free Air Resonance**35 Hz
- Frequency Response**20 - 800 Hz
- Net Weight**12,800 g (28.0 lb)

Dimensions

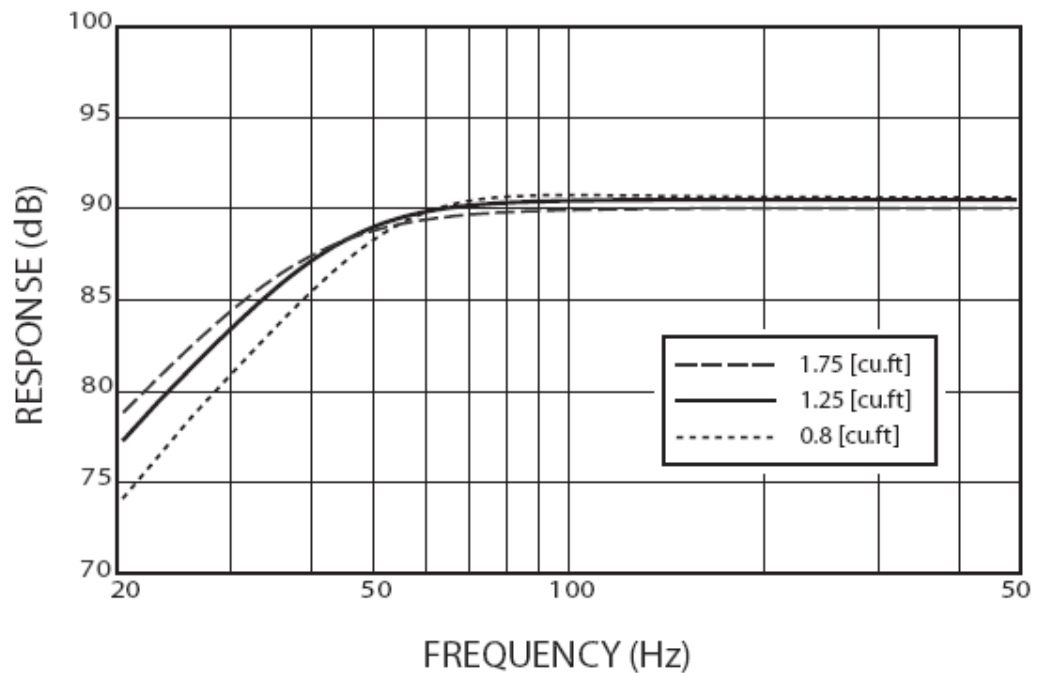
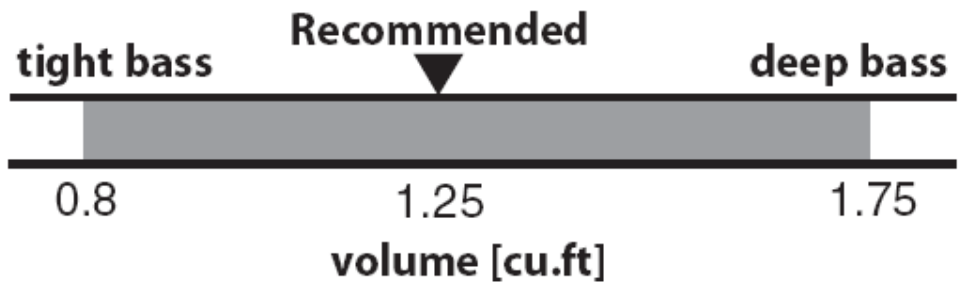
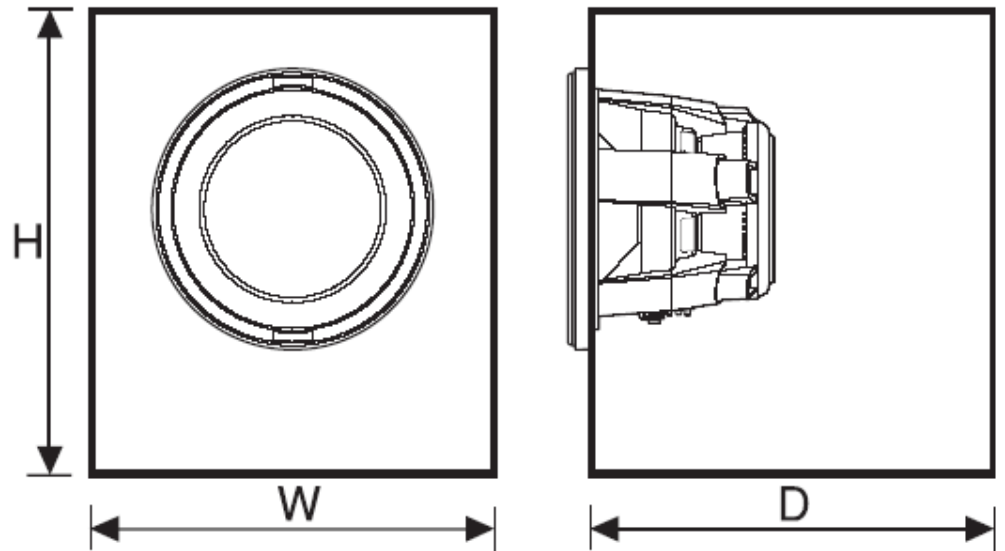


Technical specifications

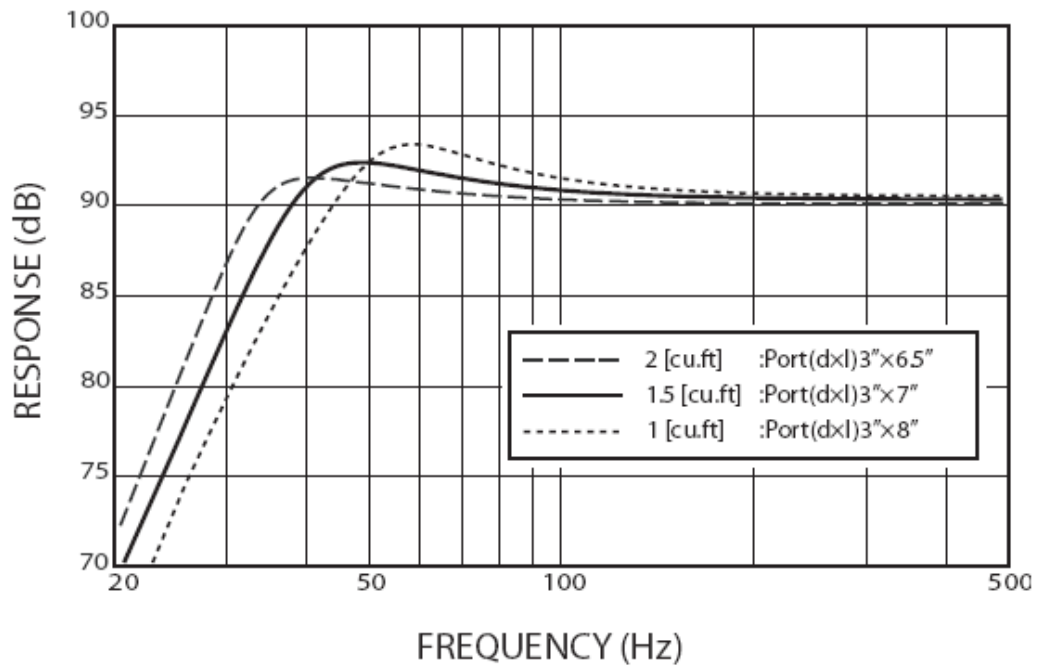
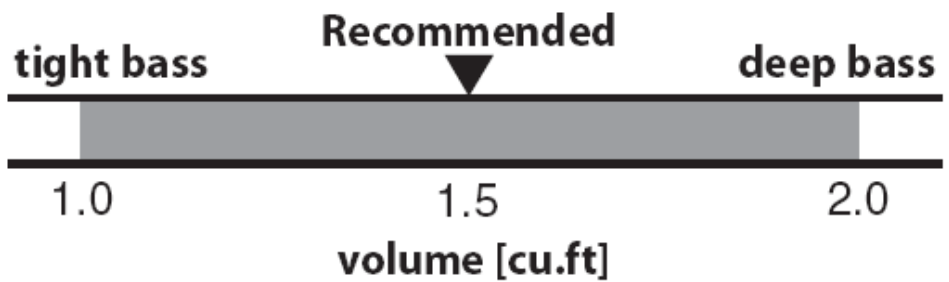
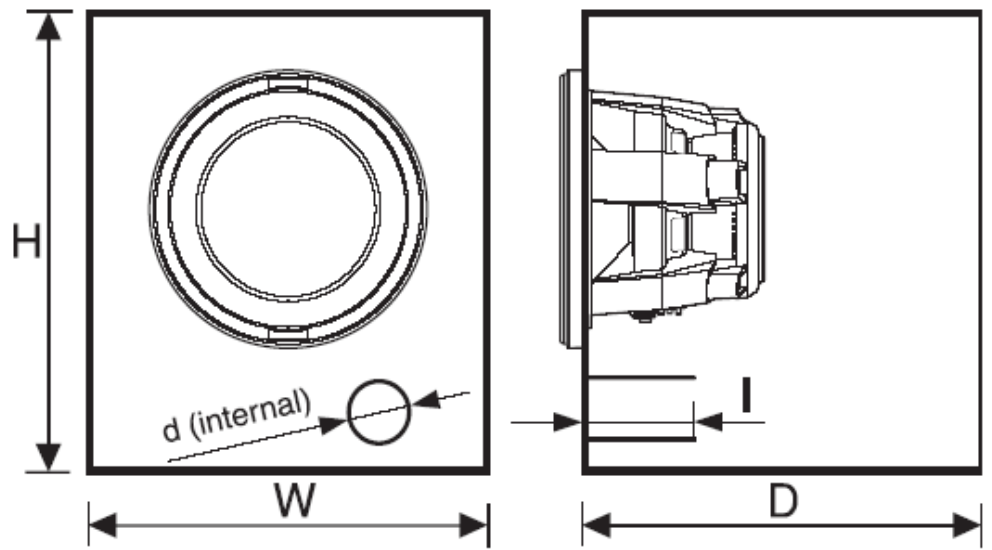
	SYMBOL	UNIT	VALUE
Nominal Impedance	Z	Ω	3 + 3
DC Resistance	Revc	Ω	1.6 (Parallel connection)
Voice Coil Inductance	Levc	mH	0.66
Piston Area	Sd	sq.m	0.049
Force Factor	BL	T·m	11.82
Volume Acoustic Compliance	Vas	liter	29.11
		cu.ft	1.028
Moving Mass	Mms	g	231.6
Resonance Frequency	Fs	Hz	35
Mechanical Q Factor	Qms		4.403
Electrical Q Factor	Qes		0.598
Total Q Factor	Qts		0.526
Peak Power		W	3,000
Peak Excursion	Xmax	mm	8.5
Displacement		cc	7,200
		cu.ft	0.254
Mounting Depth		mm (in.)	211(8-5/16)
Weight of Magnet		g (oz)	4,080 (143.6)
Voice Coil Diameter		mm (in.)	75 (2-15/16)

Recommended Enclosures

■ SEALED / HERMÉTIQUE / SELLADA / SIGILLATA



■ PORTED / RÉSONNANTE / EN PARED / CON PORTA



Recommended enclosure (Use 21 mm (3/4 inch) thick Medium Density Fiberboard (MDF) or High Density Particleboard.)

Type	Volume	W	H	D	Mounting Hole	Port Diameter d	Port Length l	Displacement
SEALED	1.25 (35.4)	380 (14 - 15/16)	375 (14 - 3/4)	360 (14 - 3/16)	282 (11 - 1/8)	—	—	0.254
PORTED	1.5 (42.5)	380 (14 - 15/16)	440 (17 - 5/16)	360 (14 - 3/16)		76 (3)	178 (7)	
(unit)	cu.ft (liter)	mm (in.) (W, H, D : External dimensions)						cu.ft